

APPLICATION FOR STRUCTURE PERMIT FOR SPRINKLER SUMP/METER

1. Date _____
 2. Applicant's name _____
 3. Landowner's name _____
 4. Mailing Address _____
Telephone # _____ Email _____
 5. Preferred contact method: Mail _____ Email _____
 6. Name of District Facility affected by proposed structure: Lateral _____ Drain _____
 7. Location of proposed structure: APN# _____
Address: _____
 8. Briefly describe proposed structure (if installing pump please include pump capacity, & Gallons Per Minute/HP/type of motor)

 9. Approximate irrigation cycle (total duration of irrigation within 10 day cycle). _____
 10. Contractor name, phone and email _____

 11. Approximate starting date _____
-

PLEASE INCLUDE THE FOLLOWING WITH YOUR APPLICATION:

A copy of the current deed of the property.

A drawing of the proposed structure and surrounding area including the following:

- North Arrow
- Location of SSJID Facility
- Location of Proposed Structure
- Local Roads
- Approximate Property Lines
- Reference to Applicable District Standards
- Horizontal Distances from Above Ground Facilities

BRING COMPLETED FORM & NECESSARY DOCUMENTS TO SSJID

1. The Structure Permit will be prepared for you by the Engineering Dept.
2. Property Owner's **signature** is required on the Permit.
3. Your application/permit will be reviewed & processed according to District policy. A determination will be made as to the feasibility of the proposed structure.
4. Upon approval you will be sent a letter and advised to contact the Facility Inspector. He will discuss the terms and conditions relating to the approval of your Structure Permit.
5. **DO NOT PROCEED WITH THE PROPOSED STRUCTURE UNTIL YOUR PERMIT HAS BEEN APPROVED. ONCE APPROVED, A COPY OF THE PERMIT MUST BE KEPT AT PROJECT SITE.**
6. Contact the Facility Inspector/Technician at 209-652-2987 for preliminary & final inspections.
7. If you have any questions concerning your Structure Permit please feel free to contact the Engineering Department, 209-249-4619.

APPLICANT'S SIGNATURE _____

CERTIFICATE OF ACCEPTANCE

This is to certify that the interest in real property conveyed by the Consent to South San Joaquin Irrigation District's Entry of Property to Read and to Maintain Flow Meter dated _____, 201_____ from _____ to the SOUTH SAN JOAQUIN IRRIGATION DISTRICT, a political corporation and a governmental agency, is hereby accepted by order of the Board of Directors of the SOUTH SAN JOAQUIN IRRIGATION DISTRICT on _____ and the grantee consents to recordation thereof by its duly authorized officer.

DATED: _____

SAMPLE
by _____
Peter M. Rietkerk, General Manager
SOUTH SAN JOAQUIN IRRIGATION DISTRICT

NOTE:

SPILL OUTLET SHALL BE REQUIRED WHEN THE DISTRICTS DISTRIBUTION LINE IS A DEAD END OR DOES NOT HAVE A SPILL. SPILL OUTLET SIZE TO BE SPECIFIED BY THE DISTRICT.

4"Ø X 5' LONG GALVANIZED STEEL GUARD POST FILLED WITH CONCRETE. CONCRETE FOOTING SHALL BE 12"ØX24" DEEP. (4 TOTAL)

SPILL OUTLET AS REQ'D. SEE NOTE ABOVE.

TWO WIRE SCREENS. LARGE AND FINE MESH OR AS OTHERWISE APPROVED BY THE DISTRICT.

TO PUMP, FILTER UNIT, AND METER

CAST-IN-PLACE BOX WITH REINFORCING PER DISTRICT STANDARDS. PRE-FABRICATED CONCRETE BOXES SHALL BE APPROVED SUBJECT TO SHOP DRAWING SUBMITTAL AND SSJID APPROVAL.

PVC OR STEEL PIPE. SIZE AND LENGTH TO BE APPROVED BY SSJID.

WATERMAN H30 LINE GATE (FLANGE X FLANGE) LOCATED AT EASEMENT LINE OR LOCATION APPROVED BY SSJID. SIZE TO BE APPROVED BY SSJID.

15' (MIN)

EASEMENT LINE

SSJID DISTRIBUTION LINE

16"Ø STEEL PIPE. ALL PIPE WITHIN DISTRICT EASEMENT SHALL BE 1/4" THICK STEEL PIPE (MIN).

EXPANDED METAL TOP AND RAILING PER DISTRICT STANDARDS

SPILL OUTLET AS REQ'D. SEE NOTE ABOVE.

BOX HEIGHT TO MATCH NEAREST UPSTREAM VENT ELEVATION ON MAIN DISTRIBUTION LINE.

NEAREST UPSTREAM VENT

NOTE: ALL PROPOSED PUMPING FACILITIES SHALL INCLUDE A METER PER DISTRICT SPECIFICATIONS.

HIGH WATER ELEVATION TO BE DETERMINED BY SSJID

REFER TO SSJID STANDARD DETAILS WHEN CONNECTION IS MADE TO A SSJID CONTROL BOX.

TO PUMP, FILTER UNIT, AND METER

8" PVC RISER

CUT TO FIT AND PLASTER SMOOTH

PVC OR STEEL PIPE. SIZE AND LENGTH TO BE APPROVED BY SSJID.

#4 REBAR DOWELED 3" INTO CONCRETE PIPE @ 10" O.C. (10 TOTAL). SET WITH SIMPSON S.E.T. EPOXY.

#4 REBAR HOOPS (2 TOTAL)

BOARD APPROVAL DATE: 7/24/12

NO.	REVISED	DATE
1	RAY HELLSTROM	6-16-92
2	RAY HELLSTROM	7-22-92
3	KILLINGSWORTH	7-24-12

TYPICAL SPRINKLER SUMP INSTALLATION FROM SSJID PIPE LATERAL

RECOMMENDED FOR APPROVAL BY:

ENGINEERING DEPT. HEAD _____ DATE _____

APPROVED BY:

PRESIDENT, BOARD OF DIRECTORS _____ DATE _____

DRAWN BY:
CHECKED BY:
SCALE: NONE

SOUTH SAN JOAQUIN
IRRIGATION DISTRICT

STANDARD NO. **6.01**



Minimum standards for a flow meter are:

- Seametrics AG2000 Irrigation Magmeter, McCrometer Ultra Mag flow meter, or approved equal
 - Installed with at least 3 diameters of straight pipe upstream of meter and 2 diameters of straight pipe downstream of meter (see Figure 1). Deviation from District standard requires verification of manufacturer's specification.
 - Provided with continuous power supply
 - Equipped with telemetry hardware allowing integration to the District's Supervisory Control and Data Acquisition (SCADA) System
 - Equipped with an internal datalogger¹

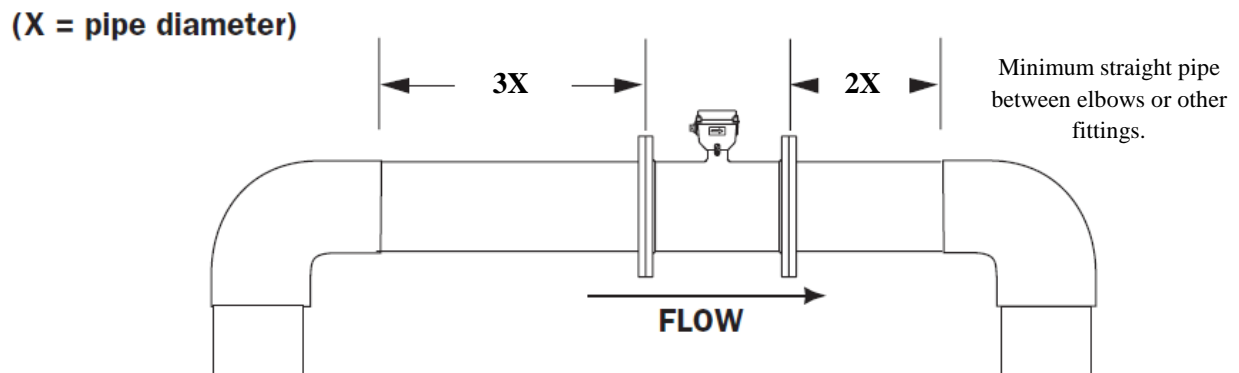


Figure 1. Example Magnetic Flow Meter Installation.

¹ An external datalogger is required and is subject to approval by SSJID.